

NX CAM Turning Add-On

Benefits

- Supply any required turning motion
- Cut efficiently with stock sensitive operations

Features

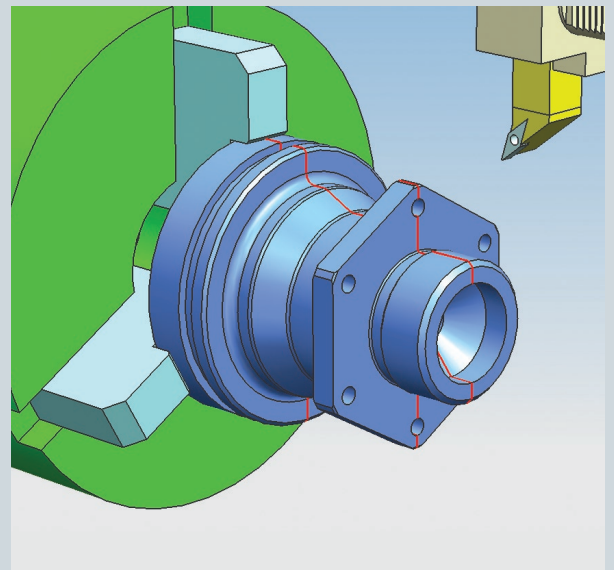
- Turning
- Facing
- Boring
- Grooving
- Threading
- Teach mode

Summary

The NX™ CAM Turning Add-On software provides capabilities to program turning centers and vertical turret lathes. NX Turning cuts efficiently with turning operations that always track cut and uncut material. You can see what material remains at all times with a persistent display of part and stock for each operation to facilitate a running completion check.

Associative turning profile

The software tracks allowable turning volumes precisely, even for mill-turn parts. You can maintain correct turning profiles through part updates. Spun solid profiles and merged multiple cross sections provide the correct turning profiles for any part and automatically update when geometry changes.



Comprehensive set of automatic operations

You can easily program a full range of lathe operations, including:

- On-center hole making: spot, drill, peck, chip, ream and tap
- Roughing: face, turn, back turn, bore, back bore and undercut – all with multiple patterns and depth of cut control and angle control
- Rough/finish grooving – with auto left/right tracking point control
- OD/ID threading
- OD/ID face
- Cutoff operation and bar feed operation types.

NX

NX CAM Turning Add-On

Feature automation

NX Turning automates grooving with feature-based machining processes. You can produce threads according to standards with parameter-driven thread cutting processes. You can also break corners with arcs or chamfers that account for the finish status of the adjacent geometry.

User control

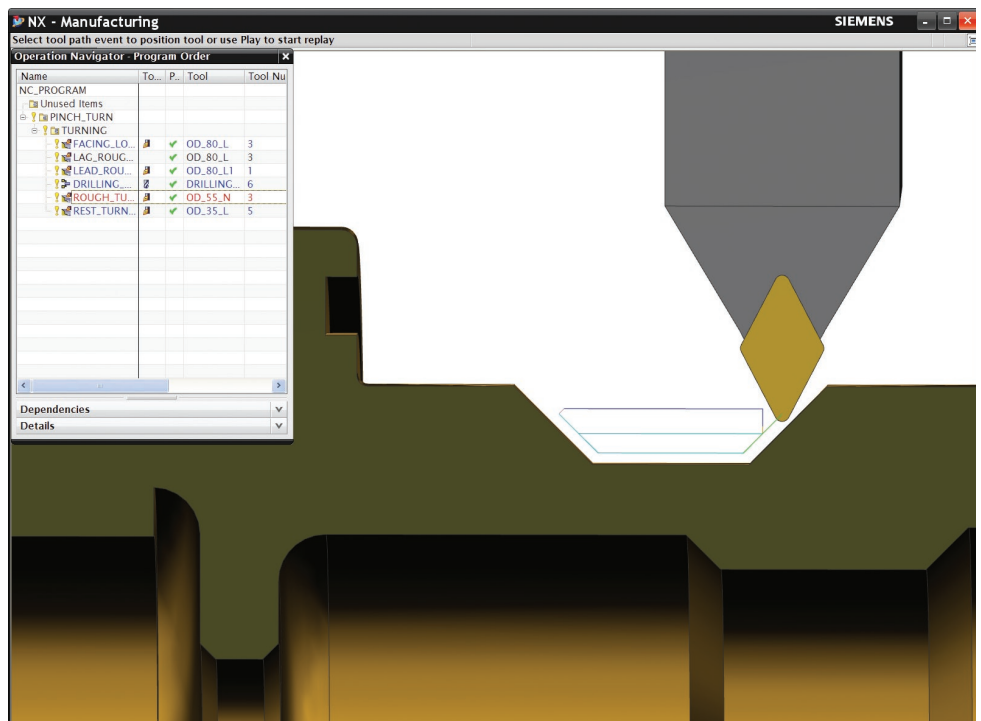
You can customize and fine tune turning boundaries to account for various finish requirements or in-process characteristics, such as grind stock. NX suppresses features as needed. Transitions to/from boundary edits ensure that the desired end result is easily achieved. Additionally, you can compensate for cutter diameter variance or use zero diameter tool programming (part dimension programming).

Advanced options

NX provides special cutting patterns, such as finish all, down-only cutting and toward/away from a corner patterns. You can protect valuable work pieces by interrupting long cuts for insert changes. Safe exit and reentry to the cut are handled automatically.

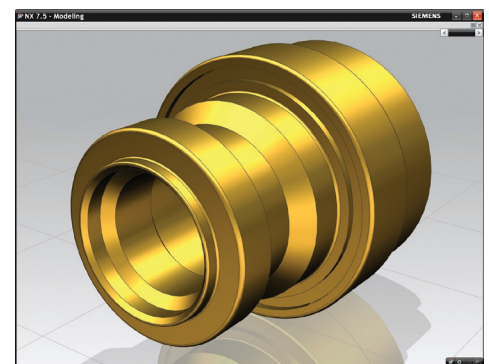
Teach mode

NX Turning provides step-by-step motion instructions with a few mouse clicks. It supports all of your turning center's capabilities (including bar feeds or tail stocks) and visualizes their motion.



Tools

You can specify the holder and insert as part of a tool assembly. NX enables you to configure left or right handed tools for inside or outside diameters. You can cut either side of the centerline using either upper or lower turret configurations. Multiple drive points per tool facilitate flexible usage of tools vs. various geometry.



Contact
 Siemens PLM Software
 Americas 800 498 5351
 Europe 44 (0) 1276 702000
 Asia-Pacific 852 2230 3333

www.siemens.com/nx

© 2010 Siemens Product Lifecycle Management Software Inc. All rights reserved. Siemens and the Siemens logo are registered trademarks of Siemens AG. D-Cubed, Femap, Geolus, GO PLM, I-deas, Insight, Jack, JT, NX, Parasolid, Solid Edge, Teamcenter, Tecnomatix and Velocity Series are trademarks or registered trademarks of Siemens Product Lifecycle Management Software Inc. or its subsidiaries in the United States and in other countries. All other logos, trademarks, registered trademarks or service marks used herein are the property of their respective holders.
 X3 23143 12/10 B